

SERIE
11

Portes autoclaves ovales

Oval autoclave manlids

Ovale Autoklaventüren

Puertas autoclaves ovaladas



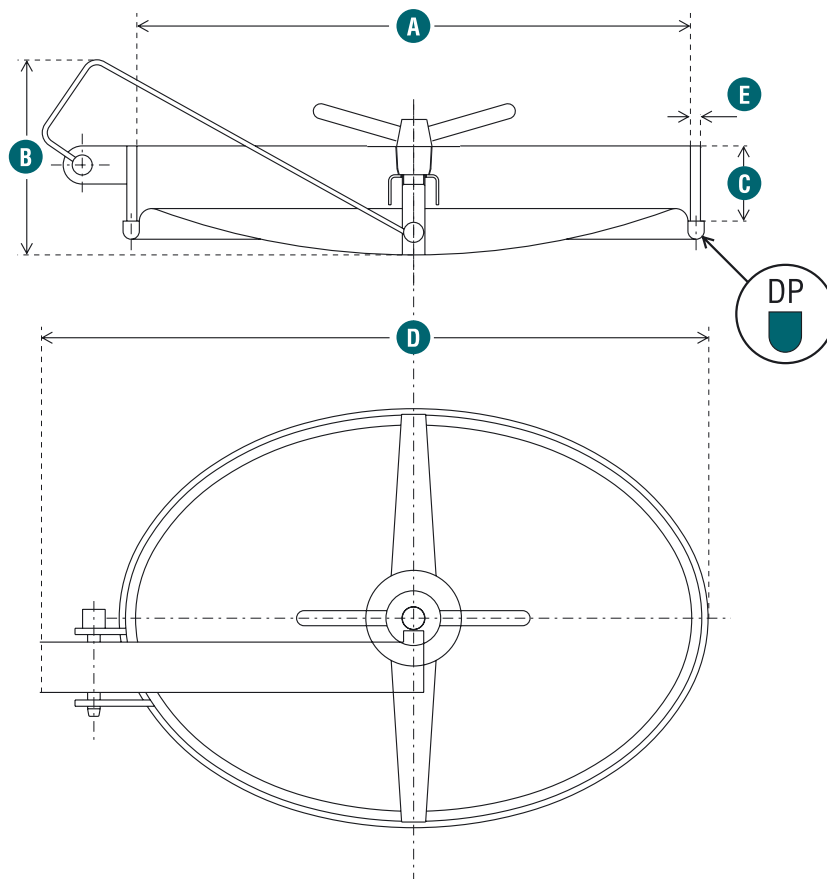
Gillain & Co

HYGIENIC EQUIPMENT FOR FOOD & LIFE SCIENCES



OPTION

P11-102 ○



P11-102

A	B	C	D	E	PS			KG
307 x 442	156	60	531	8	1,6			10